

PRODUCT NOTE

# Food Safe stainless steel encapsulated motors

With internal AEGIS® bearing protection ring



The Baldor-Reliance® Food Safe motors are the safest and cleanest washdown products available in the market today – now with an internal shaft grounding ring for increased reliability, motor life and performance.

**BALDOR • RELIANCE**



**Applications:**

- Food processing
- High pressure washdown
- Caustic environments
- Pumps and wastewater
- Outdoors
- Sanitary washdown
- Variable speed applications

**Standard features:**

- ½ - 10 Hp
- IP69 for water
- Foot mounted and footless designs
- Individually welded feet for ease of cleaning
- Rotatable, round conduit box
- Welded and polished conduit box
- Smooth heads on external drains and hardware

- Internal and external shaft sealing
- O-ring sealed endplates and conduit box
- Encapsulated, color-coded leads
- No crevices for food to collect
- 300 series stainless steel
- Epoxy encapsulated windings
- Laser etched nameplate
- Removable condensate drain plugs in each endplate
- 3-year warranty
- NEMA Premium® efficiency

**Added benefits of AEGIS bearing protection ring:**

- Internal grounding ring for bearing current mitigation
- AEGIS SGR guarantees the prevention of bearing damage caused by drive-induced currents
- Class H insulation system, meets NEMA MG1 Part 31.4.4.2

---

## Reliability

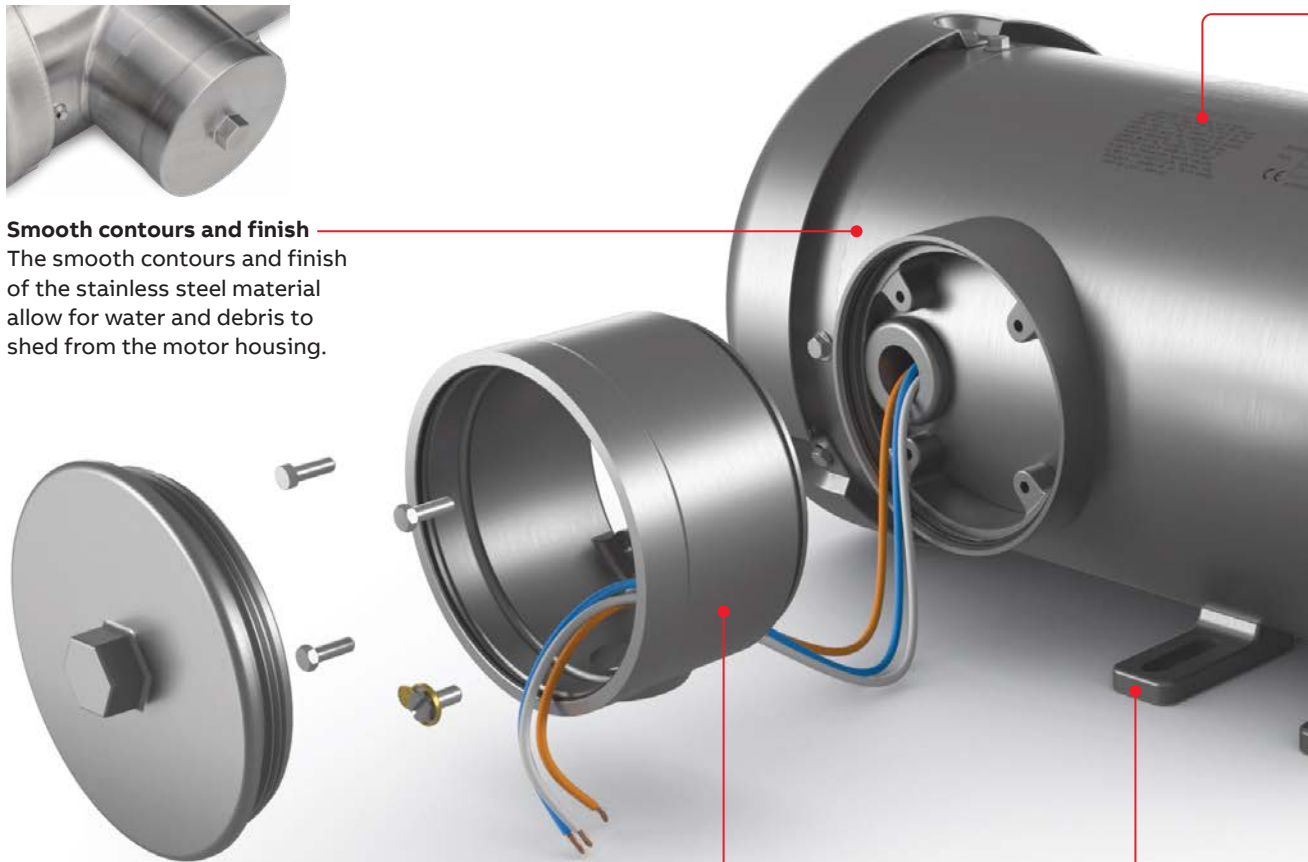
### In extreme environments

Food Safe equipment cleaning regimens are required to meet stringent health and safety regulations. To ensure cleanliness, equipment needs to be easily cleaned-in-place (CIP) and properly inspected for safety assurance.



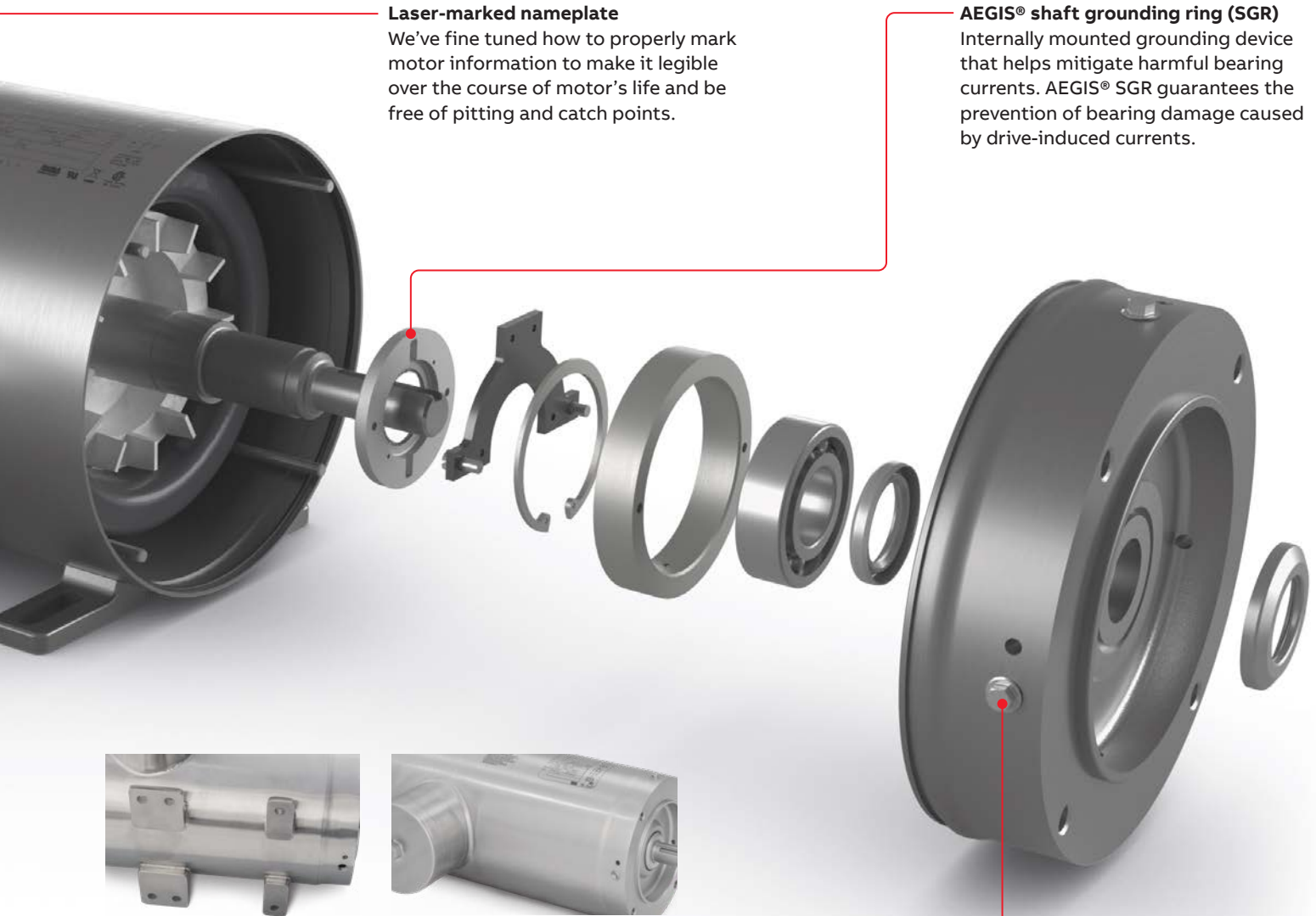
#### Smooth contours and finish

The smooth contours and finish of the stainless steel material allow for water and debris to shed from the motor housing.



#### Rotatable, round conduit box

Our 3-piece rotatable conduit box offers flexibility and safety for lead connection orientation. Waterproof lead connections come standard with every motor. Being round allows for water and debris to easily shed from the motor.



**Laser-marked nameplate**

We've fine tuned how to properly mark motor information to make it legible over the course of motor's life and be free of pitting and catch points.

**AEGIS® shaft grounding ring (SGR)**

Internally mounted grounding device that helps mitigate harmful bearing currents. AEGIS® SGR guarantees the prevention of bearing damage caused by drive-induced currents.



**Independent feet (or footless)**

Independently welded feet which allow the motor to be effectively cleaned and inspected, especially underneath the motor. An area typically ignored during the cleaning process.

Footless designs allow easier cleaning and eliminates a collection point for food and debris to build up.

**Plugged t-drains**

We've listened and plugged the drains to minimize maintenance and prevent water ingress.

# Food Safe C-Face motors

1/2 thru 10 Hp

Hp	RPM	NEMA frame	Enclosure	Catalog number	"C" dim.	Aprx. wt. (lb.)	Full load efficiency	Voltage	Full load amps
<b>Foot mounted</b>									
1/2	1800	56C	TENV	<b>CFSWDM3538-E-G</b>	11.78	38	84	208-230/460	0.9
3/4	1800	56C	TENV	<b>CFSWDM3542-E-G</b>	12.78	37	84	208-230/460	1.3
1	1800	56C	TENV	<b>CFSWDM3546-E-G</b>	12.78	37	85.5	230/460	1.5
		143TC	TENV	<b>CFSWDM3546T-E-G</b>	12.84	37	85.5	230/460	1.5
1-1/2	1800	56C	TENV	<b>CFSWDNM3554-E-G</b>	15.04	59	86.5	230/460	2.1
		145TC	TENV	<b>CFSWDNM3554T-E-G</b>	15.09	59	86.5	230/460	2.1
2	1800	56C	TENV	<b>CFSWDNM3558-E-G</b>	15.09	59	88.5	230/460	2.8
		145TC	TENV	<b>CFSWDNM3558T-E-G</b>	15.09	63	88.5	230/460	2.8
3	3600	56C	TEFC	<b>CFSWDM3559-E-G</b>	16.21	61	86.5	230/460	3.6
	1800	182TC	TENV	<b>CFSWDNM3611T-E-G</b>	18.89	101	89.5	230/460	4
5	1800	184TC	TEFC	<b>CFSWDM3615T-E-G</b>	18.89	101	89.5	230/460	6.5
7.5	1800	213TC	TEFC	<b>CFSWDM3710T-E-G</b>	20.68	136	91.7	230/460	9.5
10	3600	215TC	TEFC	<b>CFSWDM3711T-E-G</b>	20.68	149	91.7	230/460	10.6
	1800	215TC	TEFC	<b>CFSWDM3714T-E-G</b>	22.12	187	92.4	230/460	12.5
<b>Footless</b>									
1/2	1800	56C	TENV	<b>VFSWDM3538-E-G</b>	11.78	35	84	208-230/460	0.9
3/4	1800	56C	TENV	<b>VFSWDM3542-E-G</b>	12.78	41	84	208-230/460	1.3
1	1800	56C	TENV	<b>VFSWDM3546-E-G</b>	12.78	37	85.5	230/460	1.5
		143TC	TENV	<b>VFSWDM3546T-E-G</b>	12.78	37	85.5	230/460	1.5
1-1/2	1800	56C	TENV	<b>VFSWDNM3554-E-G</b>	15.04	59	86.5	230/460	2.1
		145TC	TENV	<b>VFSWDNM3554T-E-G</b>	15.04	59	86.5	230/460	2.1
2	1800	56C	TENV	<b>VFSWDNM3558-E-G</b>	15.04	63	88.5	230/460	2.8
		145TC	TENV	<b>VFSWDNM3558T-E-G</b>	15.04	63	88.5	230/460	2.8
3	3600	56C	TEFC	<b>VFSWDM3559-E-G</b>	16.21	61	86.5	230/460	3.7
	1800	145TC	TEFC	<b>VFSWDM3651T-E-G</b>	17.60	83	89.5	230/460	4.2
5	1800	184TC	TEFC	<b>VFSWDM3615T-E-G</b>	18.89	101	89.5	230/460	6.5

ABB Motors and Mechanical Inc.  
5711 R.S. Boreham, Jr. Street  
Fort Smith, AR 72901  
Ph: 1.479.646.4711